

AI LIGHTS LATI

COLLECTION

MENTOS MAGNETO

WALL

# MENTOS MAGNETO

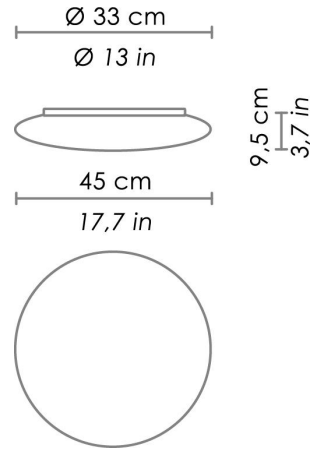
WALL

LED dimmable

IP20



AI LIGHTS  
LATTI



A collection of hanging, ceiling and wall lamps in satin finish triplex opal blown glass with a LED light source. Matt white painted metal parts. The Mentos collection has a special magnet fixing system for the glass component. In addition to simplifying and speeding up installation operations, this system is highly practical when standard maintenance is required.

LED 2700K - 4000K

CODE	COLOR
LD110323B-	White



## DIMENSIONS AND HOLES

Dimensions  $\varnothing$  45 cm /  $\varnothing$  17,7 in

## ILLUMINOTECHNICAL SPECIFICATIONS

Source	LED
Type	SMD
Total Watt	0 - 41 W
Lumen LED board	0-3791 lm
Colour temperature	3000 K
CRI	>80
Dimmer	1/10 V adjustable using a potentiometer
Lamp life	minimum 3 years guaranteed

## ILLUMINOTECHNICAL SPECIFICATIONS

Driver	included
Voltage	220-240 V
Frequency	50 - 60 HZ

## PHYSICAL SPECIFICATIONS

Thermal dissipation	passive
---------------------	---------

We reserve the right to change the specifications of our product. For the latest information on the product visit [www.zafferanoitalia.com](http://www.zafferanoitalia.com)