

AI LIGHTS LATI

COLLECTION

MARIPOSA

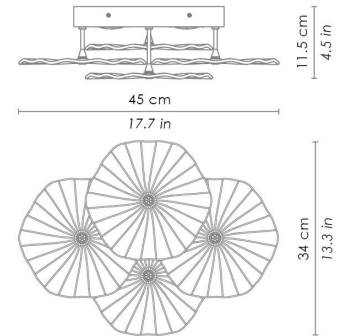
WALL

MARIPOSA

WALL



AI LIGHTS
LATTI



Handcrafted plate glass in various colours. Grey painted metal parts with chromed details. Customizable product

Dimmable version

| CODE | COLOR | |
|---------|------------------|--|
| LMR0101 | Clear | |
| LMR0104 | Clear amber | |
| LMR0105 | Clear amethyst | |
| LMR0109 | Clear grey | |
| LMR0120 | Clear light blue | |

DIMENSIONS AND HOLES

Dimensions 34 x 45 -h 11,5 / 13,3 x 17,7 - h 4,5 in

ILLUMINOTECHNICAL SPECIFICATIONS

| | |
|--------------------|----------------------------|
| Source | LED |
| Type | SMD |
| Power LED | 2 x 5 W |
| Lumen LED board | 2 x 400 lm |
| Colour temperature | 3000 K |
| CRI | >80 |
| Lamp life | minimum 3 years guaranteed |

ELECTRICAL SPECIFICATIONS

| | |
|-----------|------------|
| Driver | included |
| Voltage | 220-240 V |
| Frequency | 50 - 60 HZ |

PHYSICAL SPECIFICATIONS

Thermal dissipation

passive

We reserve the right to change the specifications of our product. For the latest information on the product visit www.zafferanoitalia.com